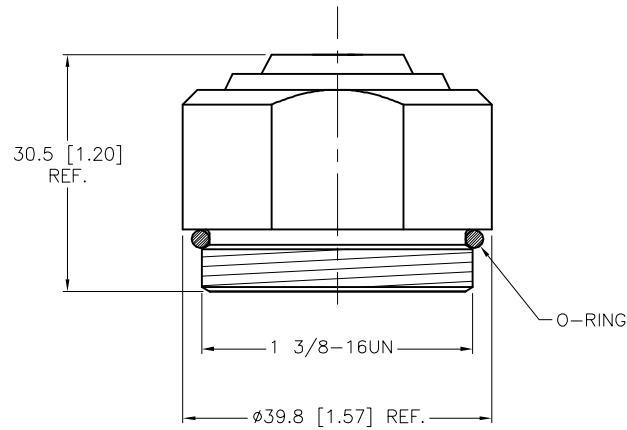
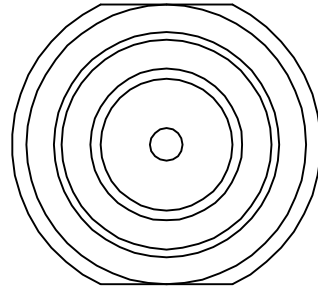

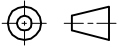


SPECIFICATIONS

CAP MATERIAL/FINISH	STAINLESS STEEL/PASSIVATED
O-RING MATERIAL	NITRILE (BUNA-N)



SOURCE DRAWING - FOR REFERENCE ONLY

RELATED DOCUMENTS		3RD ANGLE PROJECTION		THIS DRAWING IS CONFIDENTIAL AND THE PROPERTY OF TURCK INC. USE OF THIS DOCUMENT WITHOUT WRITTEN PERMISSION IS PROHIBITED.		 3000 CAMPUS DRIVE MINNEAPOLIS, MN 55441 1-800-544-7769 (763) 553-7300 (763) 553-0708 fax www.turck.us	
1.			DRFT	RDS	DATE	08/03/09	DESCRIPTION GSDV-MC
2.			APVD		SCALE	1=1.0	
3.		ALL DIMENSIONS DISPLAYED ON THIS DRAWING ARE FOR REFERENCE ONLY CONTACT TURCK FOR MORE INFORMATION	UNIT OF MEASUREMENT		IDENTIFICATION NO.		REV
4.			MILLIMETER [INCH]		U2-16196		B
MATERIAL		SEE SPECIFICATIONS		DO NOT SCALE THIS DRAWING		FILE: U2-16196	SHEET 1 OF 1
FINISH		SEE SPECIFICATIONS					

B	REMOVE SCREW	TR	04/28/23	500000008172
REV	DESCRIPTION	BY	DATE	ECO NO.